



# AUTOMATIC LOW-PRESSURE WATER MIST NOZZLE

## PRODUCT DESCRIPTION:



The automatic low pressure water mist nozzle is a concealed head with fast response characteristics, designed to perform fire control with water pressure as low as 4 bar. The nozzle is designed for installation in a fixed wet pipe system, and is activated once the fire reaches the required temperature. A fast response 57°C temperature bulb is supplied as standard, with 68°C, 93°C and 141°C also available as an option.

The nozzle is concealed in the ceiling behind a protection plate and only pops out when it is released. The protection plate comes in the option of 4 different colours (white, brass, stainless, gun-metal).

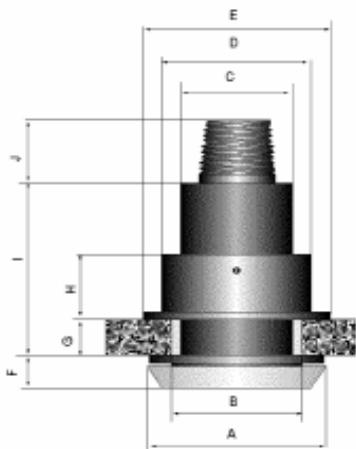
## TECHNICAL:

Nozzle Material: Brass MS58/NiSn

Installation Position: Pendant

Flow calculation:  $Q = k \sqrt{\text{Working\_Pressure}}$

Type		57°C	68°C	93°C	141°C
Working Pressure	[bar]	4	4	4	4
k-factor	[L/min.bar <sup>1/2</sup> ]	20	20	20	20
Max. spacing between nozzles	[m x m]	5 x 5	5 x 5	5 x 5	5 x 5
Density of coverage	[L/min.m <sup>2</sup> ]	1,6	1,6	1,6	1,6
Part No.		80000002	80000003	80000004	80000005



A	Cover Diameter	48 mm
B	False ceiling mounting hole diameter	35 a 40 mm
C	Nozzle diameter	M32x1 - Ø3
D	Diameter outer shaft	40 mm
E	Diameter outer plate	50 mm
F	Cover length	10 mm
G	False ceiling thickness	0 - 18 mm
H	Length outer shaft	18 mm
I	Piston rod length	50 mm
J	R 1/2 BSPT / ISO 7/1 thread length	18 mm